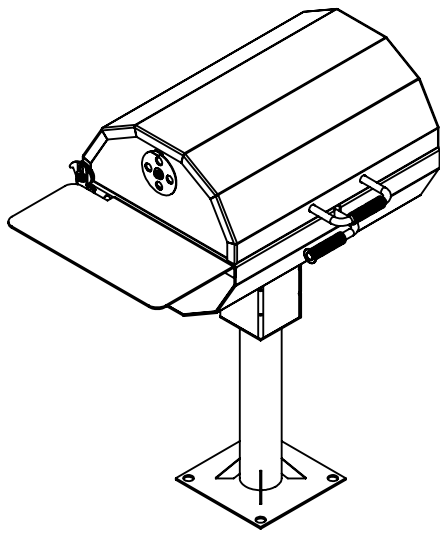
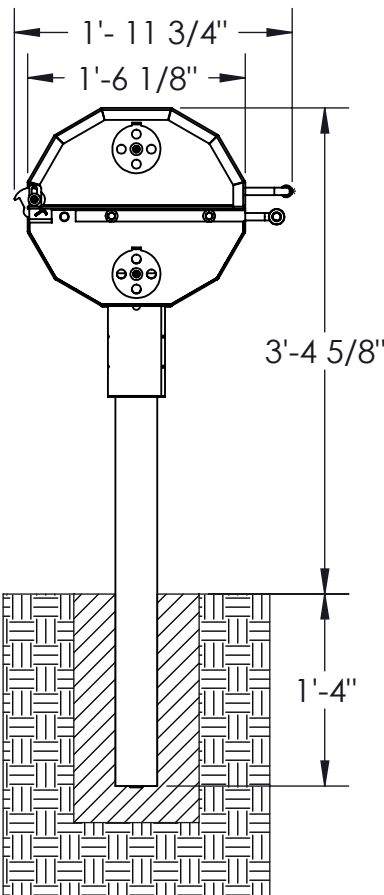


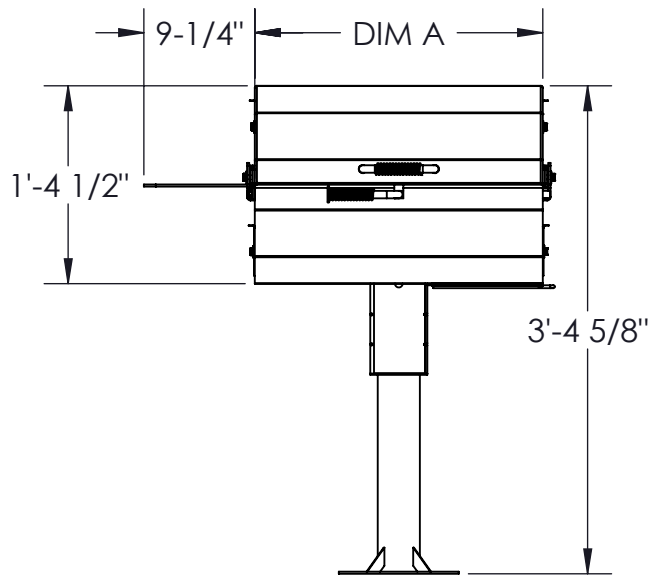
PART NO.	DIM A	ESTIMATED WEIGHT	GRATE SQ. INCHES
14645	2'-0"	130 LBS	315 SQ. INCHES
14921	3'-0"	170 LBS	495 SQ. INCHES



- Smoker grill has adjustable vents located below the fire grate for greater control of the heat.
- Grill bottom is constructed from 10 ga. thick steel.
- Grill cover is constructed from 14 ga. thick steel.
- Multiple bends in bottom & cover for added strength.
- A single shelf is included, but a second shelf can be attached on the opposite side as an option.
- Cooking & fire grate are non adjustable from 1/2" dia. A36 steel bars located on 1-1/8" centers.
- The grate handle is constructed from a 5/8" dia. A36 steel bar with stay cool spring grip, suitable for public use.
- Grill is supported by a heavy duty 3-1/2" dia. pipe.
- A theft proof base allows the grill to attach to the pipe and rotate 360 degrees.
- All exposed corners are chamfered for safety.
- Standard finish is a non-toxic black powder coat.



INGROUND MOUNT



PAD MOUNT

WARNING: MUST BE PERMANENTLY MOUNTED

CUSTOMER APPROVAL :

DATE :



THIS DRAWING, WHICH CONTAINS PROPRIETARY INFORMATION, IS THE PROPERTY OF JAMESTOWN ADVANCED PRODUCTS CORPORATION. IT SHALL NOT BE REPRODUCED IN ANY MANNER NOR DISCLOSED TO THIRD PARTIES WITHOUT WRITTEN PERMISSION OF JAMESTOWN ADVANCED PRODUCTS CORPORATION.

DATE : 3/10/15

PRODUCT PART NUMBER : 14645 & 14921

REV. NO. 2 12/10/15

PRODUCT DESCRIPTION :
24" & 36" SMOKER GRILL

2855 GIRTS ROAD
JAMESTOWN, NY 14701